

DH-TPC-BF5300-T

Thermal Fixed Network Camera



Features

- 336*256 VOx uncooled thermal sensor technology
- Athermalized Lens,Focus-free
- Support temperature measurement
- Support ROI,Motion Detection,Color Palettes
- Built-in 2/1 alarm in/out
- Micro SD memory(Max 64G)
- Multiple network monitoring: Web viewer, CMS(DSS/PSS) & DMSS
- Tri-Mode for video output IP/HD-CVI/Analog
- H.264&MJPEG dual-stream encoding
- IP66, PoE

DH-TPC-BF5300-T

Technical Specifications

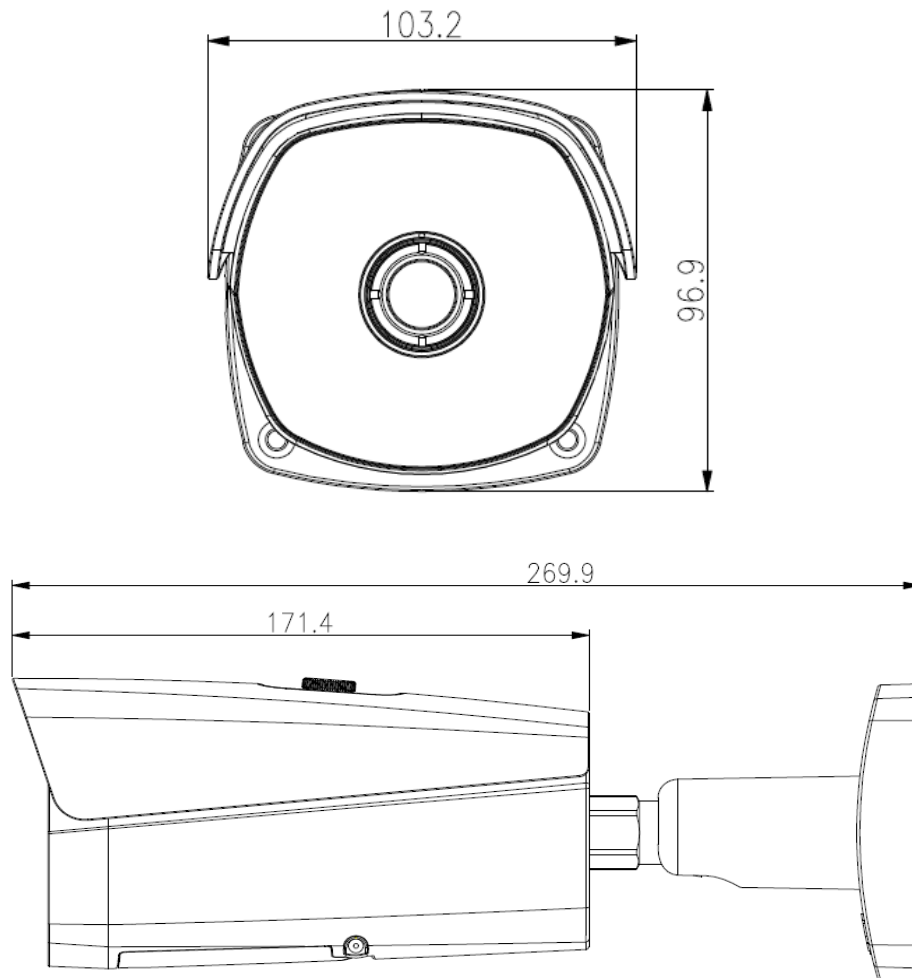
Model		DH-TPC-BF5300-T		
Thermal Camera				
Sensor Type		Long Life, Uncooled VOx Microbolometer		
Effective Pixels		336(H) x 256(V)		
Pixel Size		17um		
Thermal Sensitivity		<50mK@f/1.0		
Spectral range		7.5~13.5um		
Lens				
Focal Length		7mm	13mm	19mm
Focus Range		Athermalized, Focus-free		
Angle of View(H×V)		50° *38°	25° *19°	17° *13°
Effective Distance①	Man (1.8m*0.5m)	Detection:200m Recognition:50m Identification:30m	Detection:400m Recognition:100m Identification:50m	Detection:600m Recognition:150m Identification:70m
	Vehicle (2.3m*2.3m)	Detection:600m Recognition:150m Identification:60m	Detection:1000m Recognition:280m Identification:140m	Detection:1500m Recognition:400m Identification:200m
Camera Features				
Digital Zoom		16X		
Color Palettes		White hot/Black hot/Ironrow/Icefire		
ROI		Support, Custom areas		
Motion Detection		Support		
Temperature Measurement				
Measurement range		Low Gain	-40°C ~ +550°C	
		High Gain	-40°C ~ +160°C	
Measurement accuracy		Max (±2°C, ±2%)		
Measurement mode		Spot/Line/Area		
Measurement preset		Spot:8 Line:1 Area:8 Support 8 presets simultaneously		
Temperature Alarm		Support over temperature alarm, Hot point track.		
Video				
Compression		H.264Main profile/H.264High profile/M-JPEG		
Frame Rate	Main Stream	720P(1 ~ 25/30fps)(default)/ 1280*1024(1 ~ 25/30fps)		
	Sub Stream	640*360(1 ~ 25/30fps) (default)/ 640*512(1 ~ 25/30fps)		
Bit Rate		H.264: 448 ~8192Kbps		
Video Output		IP/ Analog (HD-CVI Optional)		
Smart Function				
Smart detection		Tripwire		
		Intrusion		
		Perimeter Protection		

DH-TPC-BF5300-T

	Object Detection(Person&Vehicle)
Audio	
Compression	G.711a/G.711u(8K 16BIT)
Interface	1 channel Out
Network	
Ethernet	RJ-45 (10/100Base-T)
Protocol	IPv4/IPv6, HTTP, HTTPS, SSL, TCP/IP, UDP, UPnP, ICMP, IGMP, SNMP, RTSP, RTP, SMTP, NTP, DHCP, DNS, PPPOE, DDNS, FTP, IP Filter, QoS, Bonjour
Compatibility	ONVIF PSIA CGI
Max. User Access	20 users
Smart Phone	iPhone, iPad, Android, Windows Phone
Auxiliary Interface	
Memory Slot	Micro SD, Max 64GB
RS485	N/A
Alarm	2/1 channel In/Out
Audio	1 channel In
General	
Power Supply	AC24V/DC12V/POE
Power Consumption	<6W
Working Environment	-40°C~+60°C, Less than 95% RH
Ingress Protection	IP66
Dimensions	270 mm × 103mm× 97mm
Weight	1.37kg
Note: ① Effective distance values shown are nominal values and should be used as estimates only. Exact value calculations depend on a wide variety of conditions.	

DH-TPC-BF5300-T

Dimensions (mm)



Accessory (optional)



Dahua Technology Co., Ltd.

1199 BinAn Road, Binjiang District, Hangzhou, China

Tel: +86-571-87688883

Fax: +86-571-87688815

Email: overseas@dahuatech.com

www.dahuatech.com

*Design and specifications are subject to change without notice.

© 2015 Dahua Technology Co., Ltd.