

DHI-HWS800A

Radar speed enforcement System



Order Information

DHI-HWS800A

Features

- Fully embedded design without PHD, stable and reliable system
- Integrated design, compact construction, easy to install, use and maintain
- Adopt narrow pulse light technology
- Narrow beam radar speed measurement to enhance the accuracy, effectively hide from the electronic dog (anti-speed radar detector)
- High definition image snapshot
- Multiple connection ways, support wireless via CDMA/GPRS/3G
- Extra low power consumption, support solar power
- General management and remote maintenance function

DHI-HWS800A

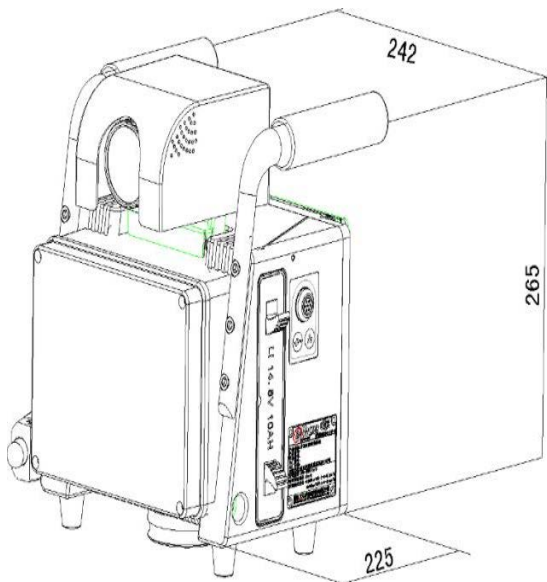
Technical Specifications

Model	DH-HWS800A	
General	Image Resolution	8 megapixel, 3296*2536
	Video Resolution	2 megapixel,1600*1200
	Sensor	4/3 inch CCD
	Image Format	JPEG
	Video Format	H.264 high profile
	Monitor lane	1 ~ 6 lane
	Measure Range	(10 ~ 250) km/h
	Measure Accuracy	Full speed range (-4~0)km/h
	Vehicle Capture Rate	≥ 95%
	Vehicle Type Recognition	≥ 90%
	Lane Recognition	≥ 90%
	Image Amount	1,2,3 optional
	Storage	1 SATA port,2.5inch HDD,500GB
	Radar Frequency	24.00GHz~24.25GHz
	Antenna beam width	Horizontal 6 degrees(-3dB),vertical 28(-3dB)
Interface	Data Interface	1 RS232 COM, 1 100M Ethernet port, 1 USB2.0 port
	Lithium Battery Port	14.8V, 1 10AH lithium battery port
	Power Input Port	1 19V DC input port
	Power Output Port	1 12V DC output port
	Flashlight synchronization port	2, support white/IR flashlight compensation.
	LED flashlight synchronization port	1, frequency and interval are adjustable
	Lens Interface Type	C type
Snapshot	ANPR Snapshot	Support
	Low Speed Snapshot	Support
	Over Speed Snapshot	Support
Trigger Mode	Radar	Support
Special Function	License Plate Recognition	Support
	Lane Recognition	Support
	HDD Storage	Support
	ANPR Snapshot	Support, 1, 2 optional
	Video Record	Support, according to period or violations
	Video Format Switch	Support N/P switch

DHI-HWS800A

	ICR	Electronic color to B/W
	Remote Control	Web/Client
	OSD	Support date, time, location, direction, plate number, vehicle color, vehicle type, speed, radar direction, violation type, device ID, expire time, etc.
	Image Tamper-proof	Support, watermark
Work Environment	Voltage	DC19V
	Consumption	<20W
	Work Temperature	With lithium battery: -20°C ~ +60°C Without lithium battery: -30°C ~ +70°C.
	Relative Humidity	10%~90%, no condensation
	Dimensions	230*290*225 (L*H*W, mm)
	Weight	9.0Kg

Dimensions (mm)



Dahua Technology Co., Ltd.

1199 BinAn Road, Binjiang District, Hangzhou, China

Tel: +86-571-87688883

Fax: +86-571-87688815

Email: overseas@dahuatech.com

www.dahuatech.com

*Design and specifications are subject to change without notice.

© 2015 Dahua Technology Co., Ltd.