

# DHI-ARC9016C(-G)

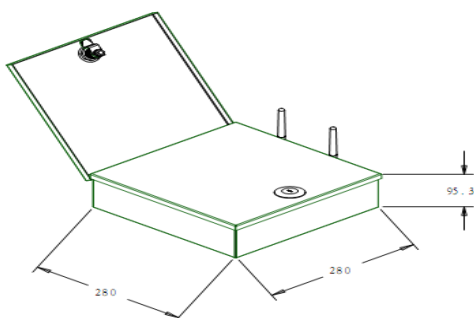
## MBUS Alarm Host



### Feature

- 16-ch local alarm input, max 256 zones, 8 independent sub systems,
- 8-ch local switch alarm output, max 64-ch
- MBUS expansion distance may reach 2.4km, support supplying power for each zone
- 1-ch audio talk
- Programming keyboard & remote control input, to arm/disarm
- Support caching 256 pieces of CID event
- 5000 log records
- 2 groups of programming keyboards input through RS485
- IP network and PSTN transmission, GPRS function (-G model)
- Working temperature: -10°C--55°C

### Dimension



## Technical Specifications

Model	DHI-ARC9016C(-G)
Alarm Input	16-ch local alarm input, max 256 zones
Bus Type	MBUS
Alarm Output	8-ch local alarm output, max 64-ch
External power supply	1-ch DC 12V 1A
PSTN Alarm	Support
GPRS	-G support
Log	5000 local logs
Tamper Alarm	1, support tamper alarm
Audio talk	1-ch
Audio In	1-ch, RCA LINE IN
Audio Out	1-ch, RCA LINE OUT, Maximum output power 8Ω 3.1W
RS485	2-ch, support alarm keyboard
Cable Network	1-ch 10/100M Ethernet, RJ45
Battery Powered	12V 7A
Supply	DC12V
Power	<10W (Load Supply<50W)
Working environment	-10°C~+55°C
Overall dimensions	280mm * 280mm * 96mm
Weight	<3Kg
Installation	Wall mounting